

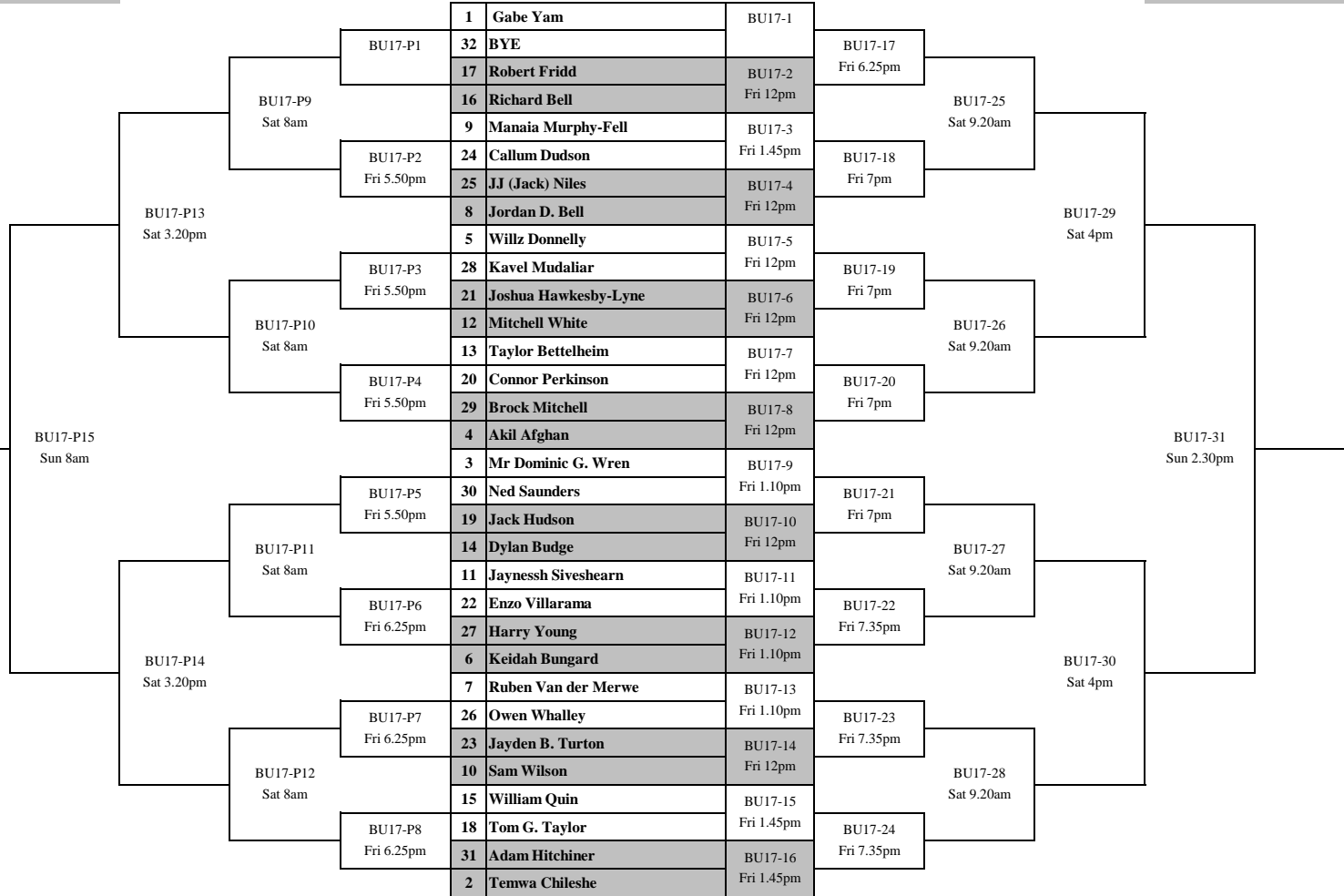
# North Island Junior Age Group Championships

## BOYS UNDER 17

All games at Geyser City

Plate

Championship

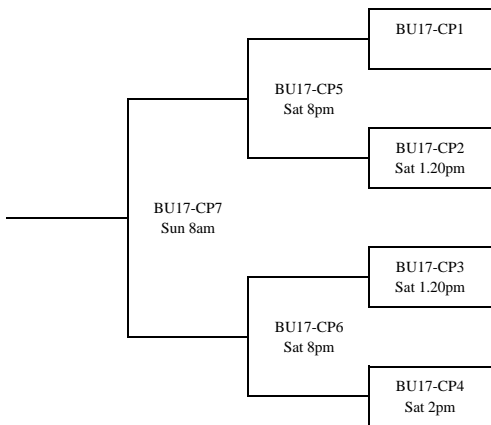


### 32 Draw

Seeding	Grade	Code	Name
1		AKBPGY	Gabe Yam
2		WKCMTRC	Temwa Chileshe
3		CBSWDW	Mr Dominic G. Wren
4		AKNSAMA	Akil Afghan
5		ESOBW2D	Willz Donnelly
6		MDOMKB	Keidah Bungard
7		AKHWRVM	Ruben Van der Merwe
8		CDPNJDB	Jordan D. Bell
9		BPWTMM	Manaia Murphy-Fell
10		WKHASW	Sam Wilson
11		WKLPSJ	Jaynessh Siveshearn
12		BPTAMTW	Mitchell White
13		BPTAT2B	Taylor Bettelheim
14		CDOADB	Dylan Budge
15		CBCFWMQ	William Quin
16		CDPNRJB	Richard Bell
17		ESHNRF	Robert Fridd
18		AKNSTT	Tom G. Taylor
19		BPGCJH	Jack Hudson
20		BPEDC2P	Connor Perkinson
21		AKRMJAL	Joshua Hawkesby-Lyne
22		AKRMEV	Enzo Villarama
23		BPGCJBT	Jayden B. Turton
24		BPGCCD	Callum Dudson
25		BPTAJJN	JJ (Jack) Niles
26		BPKKOW	Owen Whalley
27		ESHNHY	Harry Young
28		AKHDKM	Kavel Mudaliar
29		BPGSBCM	Brock Mitchell
30		NLMANS	Ned Saunders
31		BPTAAMH	Adam Hitchiner
32			BYE

3-4 Playoff

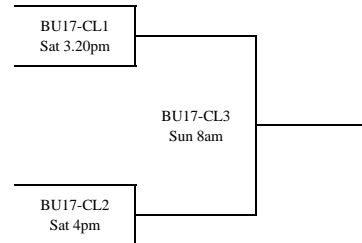
**Consolation Plate**



**Please Mark & Referee the next game  
on the court you have just played.**

BU17-PO  
Sun 1.45pm

**Classic Plate**



**Special Plate**

